

# Bell Hydromatics

## Relief Modular Valves



## Features

- This balanced piston type relief modular valve is an improvement over the conventional type relief valve.
- The valve is designed to control the maximum pressure of the hydraulic circuit and also serves as a safety valve.
- It can provide normal performance in a wide range of operating pressure from 8 up to 250 bar.
- Back pressure in tank port should be as low as possible (under 5 bar)
- In case the valves are used as safety valves, pressure setting should be higher than max. circuit pressure by 10~15 bar.
- The pressure will be increased when the pressure adjustment handle is turned clockwise, and will be reduced when the pressure adjustment handle is turned counter-clockwise.
- Be sure to re-tighten the lock nut firmly after making adjustment to the pressure.

# Ratings

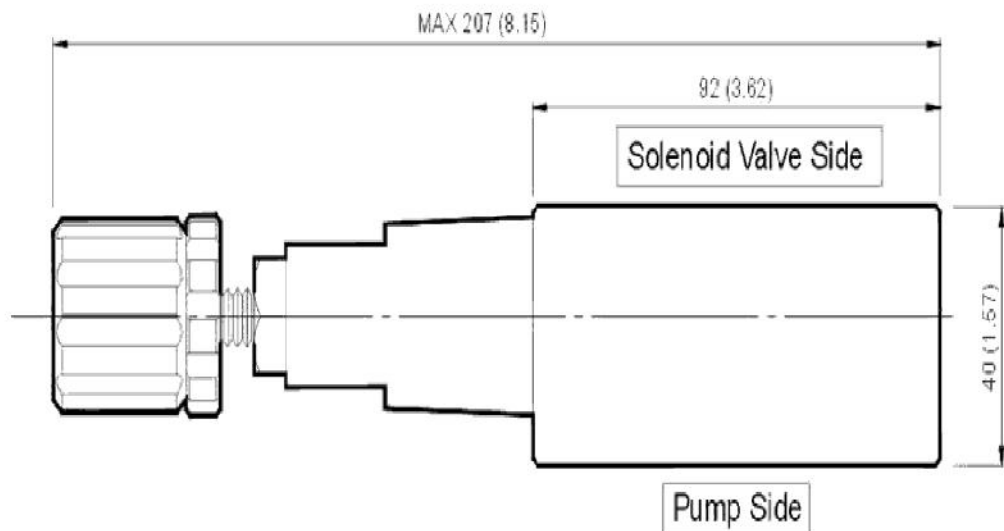
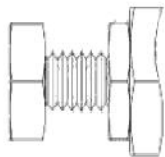
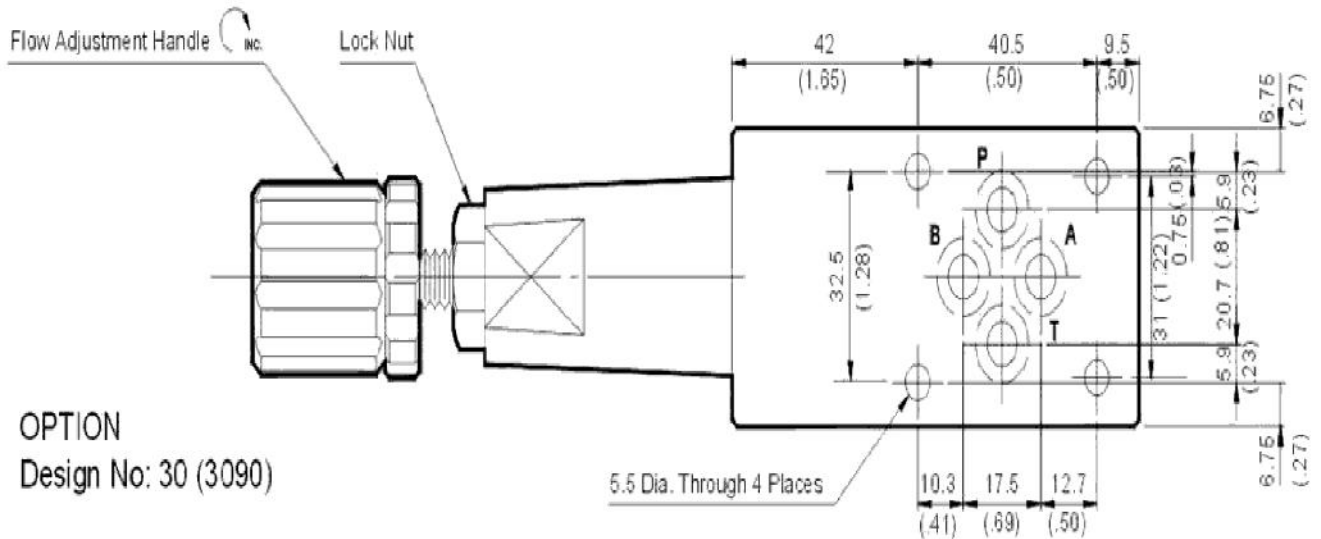
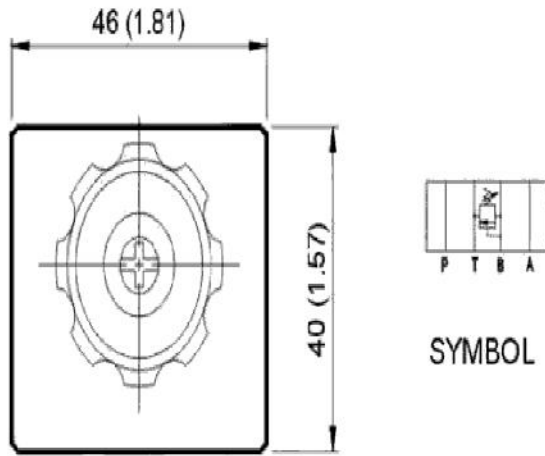
<b>Model</b>	<b>Max Operating Press bar(PSI)</b>	<b>Max Flow lpm (USgpm)</b>	<b>Valve Size</b>	<b>Weight kg(lb)</b>
MB*-01-	250(3600)	50(13.2)	1/8"	1.1(2.4)
MB*-03-	250(3600)	100(26.5)	3/8"	3.8(8.3)
MB*-04-	250(3600)	190(50.2)	1/2"	7.0(15.4)
MB*-06-	250(3600)	300(79.3)	3/4"	11.2(24.6)

<b>Model &amp; Symbol</b>	<b>Model &amp; Symbol</b>
MBP-01(03)	MBP-04(06)
MBA-01(03)	MBA-04(06)
MBB-01(03)	MBB-04(06)
MBW-01(03)	

# MB\*-01 Relief Valves (Modular Type)

## Valve Specifications & Attachment

Flow Rating	50 lpm (13.2 gpm)
Max. Pressure	250 bar (3600 psi)
Weight kg(lbs.)	1.1 (2.4)
CODE:20	M5 X85LgX4pcs
CODE:2090	10-24UNCX3-4/4"LgX4pcs
Mounting Surface O-Ring P9 x 2 pc	



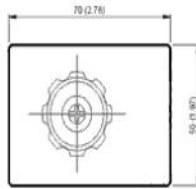
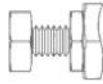
# MB\*-03 Relief Valves

MOUNTING SURFACE: MB\*-03-CETOP5  
ISO 05-NFPAD05

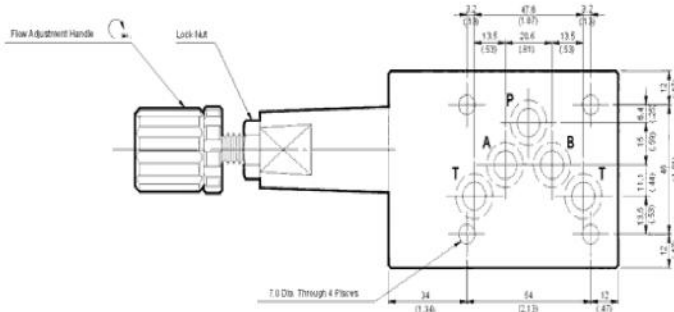
## Valve Specifications & Attachment

Flow Rating	100 lpm (26.5 gpm)
Max. Pressure	250 bar (3600 psi)
Weight kg.(lbs.)	3.5 (7.7)
CODE:20	M6 X90LgX4pcs
CODE:2090	1/4-20UNCX3-1/2LgX4pcs
Mounting Surface O-Ring P12 x 5 pc	

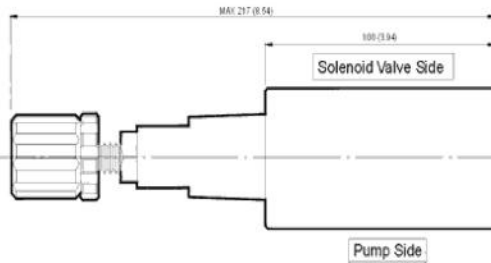
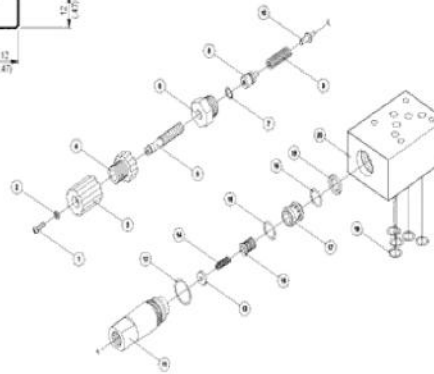
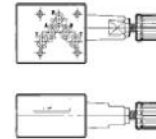
OPTION  
Design No: 30 (3090)



SYMBOL

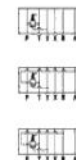
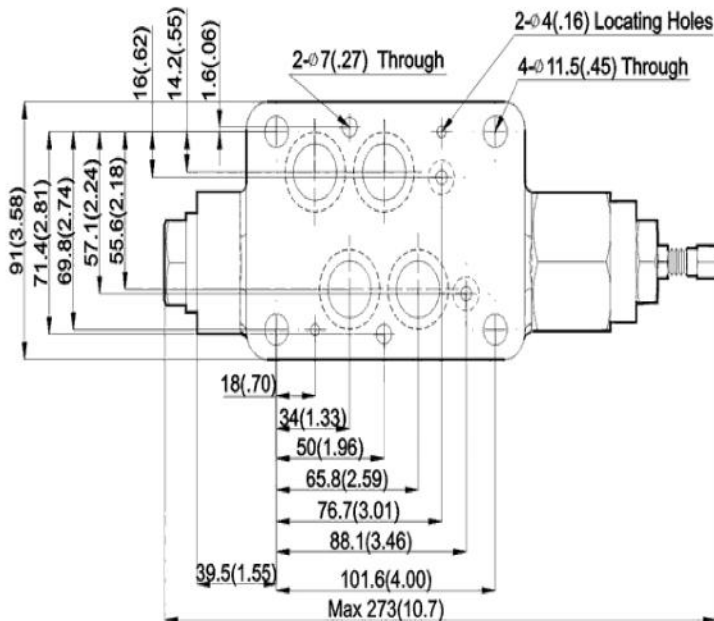


MB\*-03-L

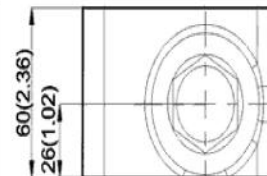


# MB\*-04 Relief Valves

MOUNTING SURFACE: MB\*-04-CETOP7  
ISO 07-NFPAD07



SYMBOL



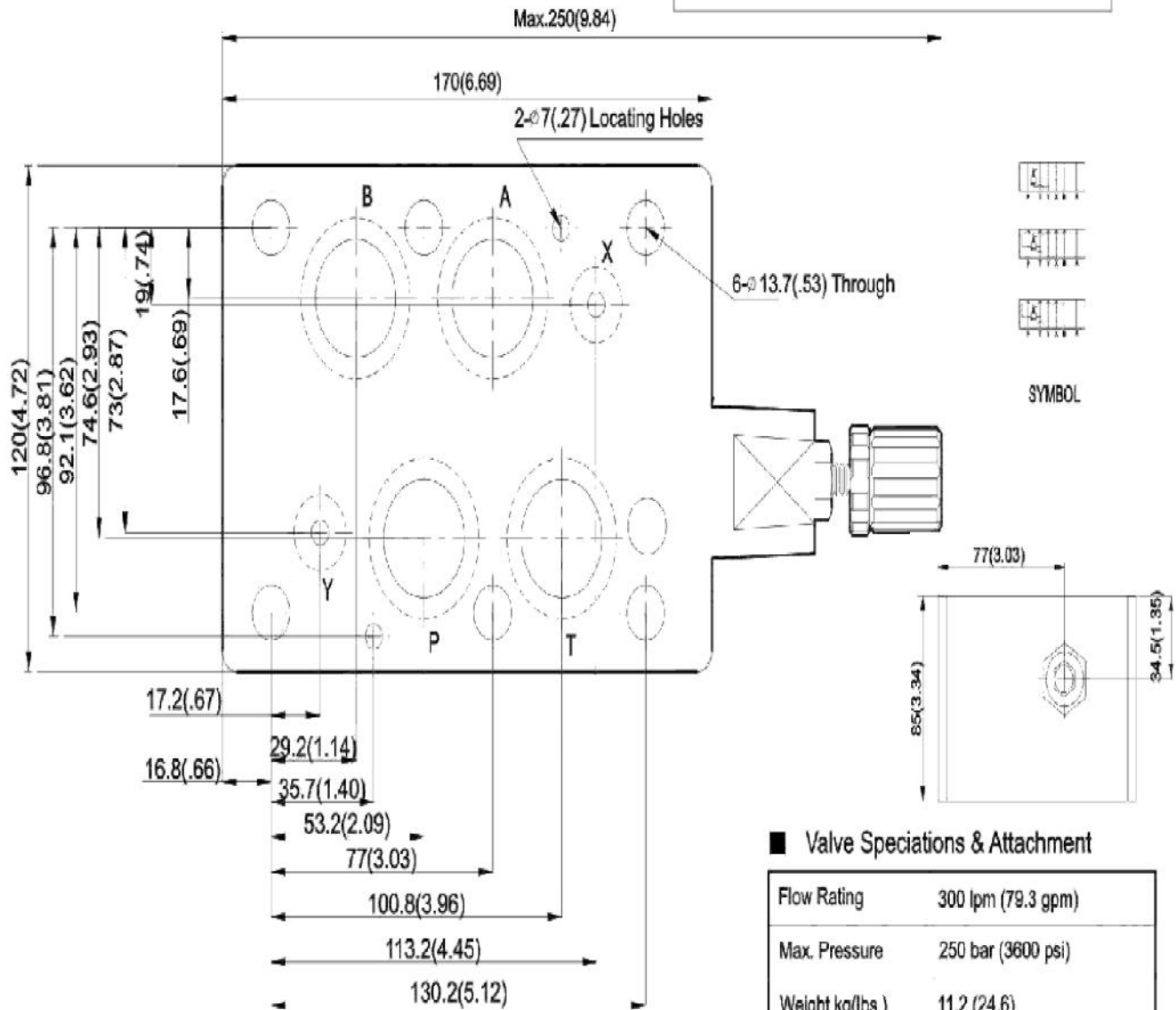
## Valve Specifications & Attachment

Flow Rating	190 lpm (50.2 gpm)
Max. Pressure	250 bar (3600 psi)
Weight kg.(lbs.)	7.0 (15.4)
CODE:20	M6X125LgX2pcs M10X120LgX4pcs
CODE:2090	1/4-20UNCX4-7/8"LgX2pcs 3/8-16UNCX4-5/8"Lg X4pcs
Mounting Surface O-Ring P9 x 2 pc & P22A x 4 pcs	

MBA-04  
MBB-04  
MBP-04

# MB\*-06 Relief Valves

MOUNTING SURFACE:MB\*-06-CETOP8  
ISO 08-NFPAD08



MBA-06  
MBB-06  
MBP-06

### Valve Specifications & Attachment

Flow Rating	300 lpm (79.3 gpm)
Max. Pressure	250 bar (3600 psi)
Weight kg(lbs.)	11.2 (24.6)
CODE:20	M12X140LgX6pcs
CODE:2090	1/2-13UNCX4-5/8"Lg X6pcs
Mounting Surface O-Ring P12 x 2 pc, P28 x 4 pcs	

# MBW-01 Relief Valves

MOUNTING SURFACE: MB\*-01-CETOP3  
ISO 03-NFPAD03

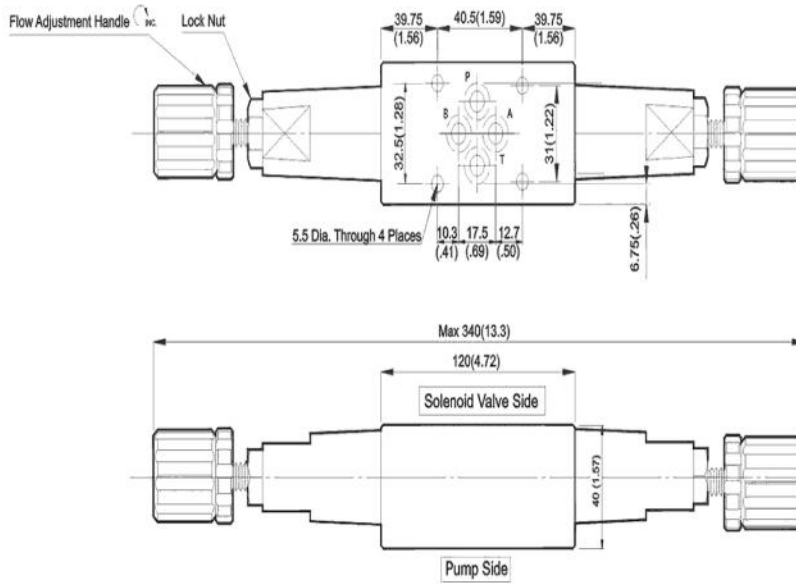
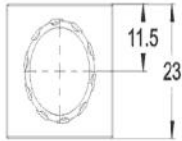
## Valve Specifications & Attachment

Flow Rating	50 lpm (13.2 gpm)
Max. Pressure	250 bar (3600 psi)
Weight kg/(lbs.)	1.1 (2.4)
CODE:20	M5 X95LgX4pcs
CODE:2090	10-24UNCX4*LgX4pcs
Mounting Surface O-Ring P9 x 2 pc	

OPTION  
Design No: 30 (3090)



SYMBOL



# MBW-03 Relief Valves

MOUNTING SURFACE: MB\*-03-CETOP5  
ISO 05-NFPAD05

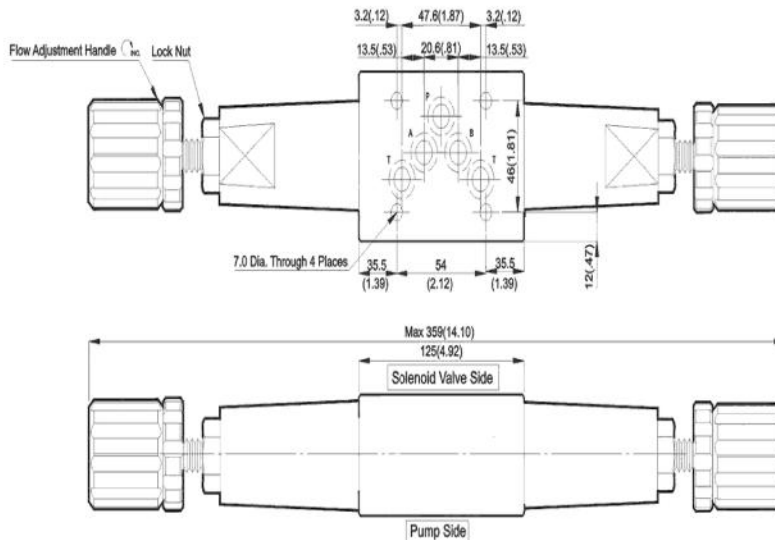
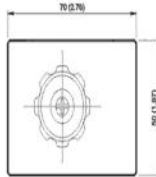
## Valve Specifications & Attachment

Flow Rating	100 lpm (26.5 gpm)
Max. Pressure	250 bar (3600 psi)
Weight kg/(lbs.)	3.5 (7.7)
CODE:20	M6 X90LgX4pcs
CODE:2090	1/4-20UNCX3-1/2LgX4pcs
Mounting Surface O-Ring P12 x 5 pc	

OPTION  
Design No: 30 (3090)



SYMBOL



# Ordering Code

<b>MB</b>	<b>P</b>	<b>01</b>	<b>C</b>	<b>20</b>	<b>S</b>
<b>Series No</b>	<b>Control Line</b>	<b>Valve Size</b>	<b>Pressure Adj. Range</b>	<b>Design No.</b>	<b>Option Kits</b>
Relief Modular Valves	P: P Port	(DSG) 01 (NFPA-D03)	C: 8~140 bar	20 DIN 912 bolts	None: With Knob
	A: A Port	(DSG) 03 (NFPA-D05)	H: 70~ 210 bar	2090 UNC bolts (North America)	S: Soc. Hd. Cap. Screw
	B: B port	(DSHG) 04 (NFPA-D07)			
	W:A&B Port	(DSHG) 06 (NFPA-D08)			